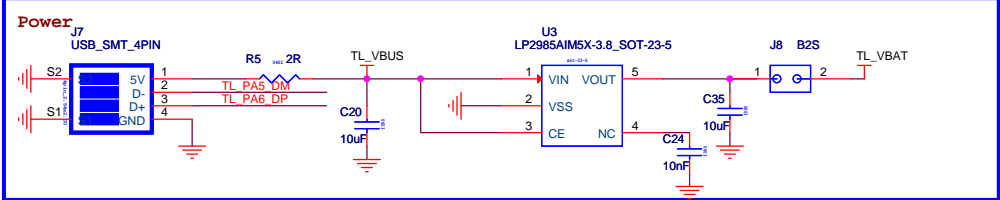
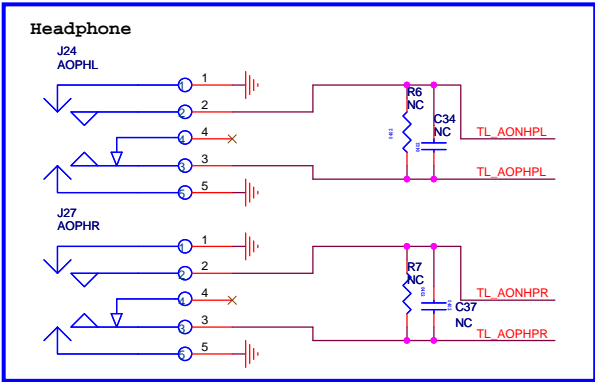
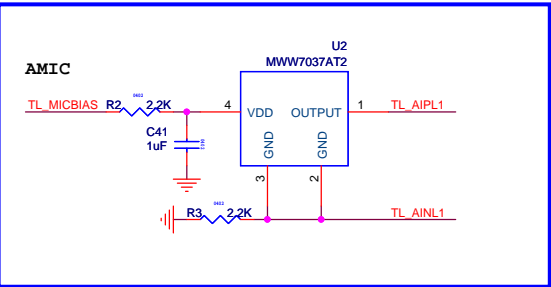
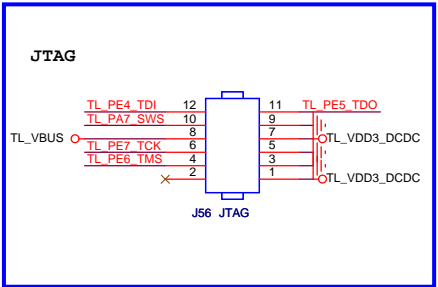
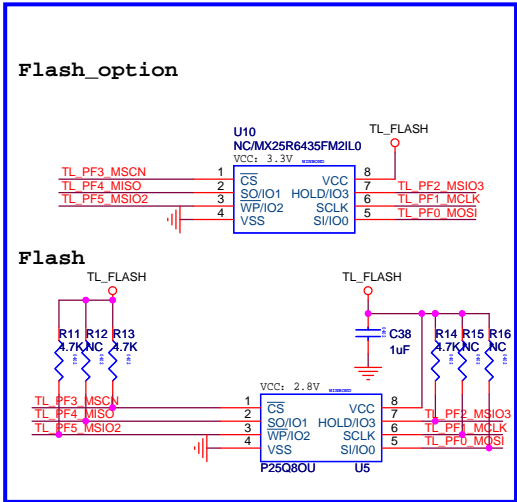
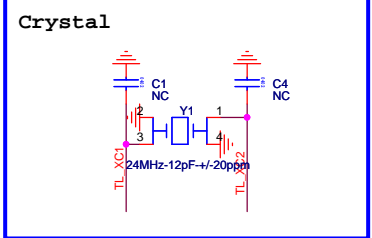
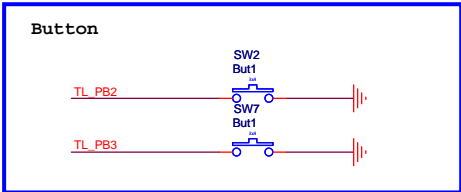
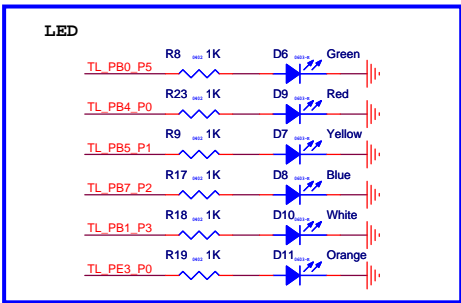
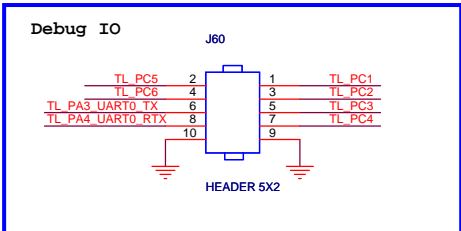
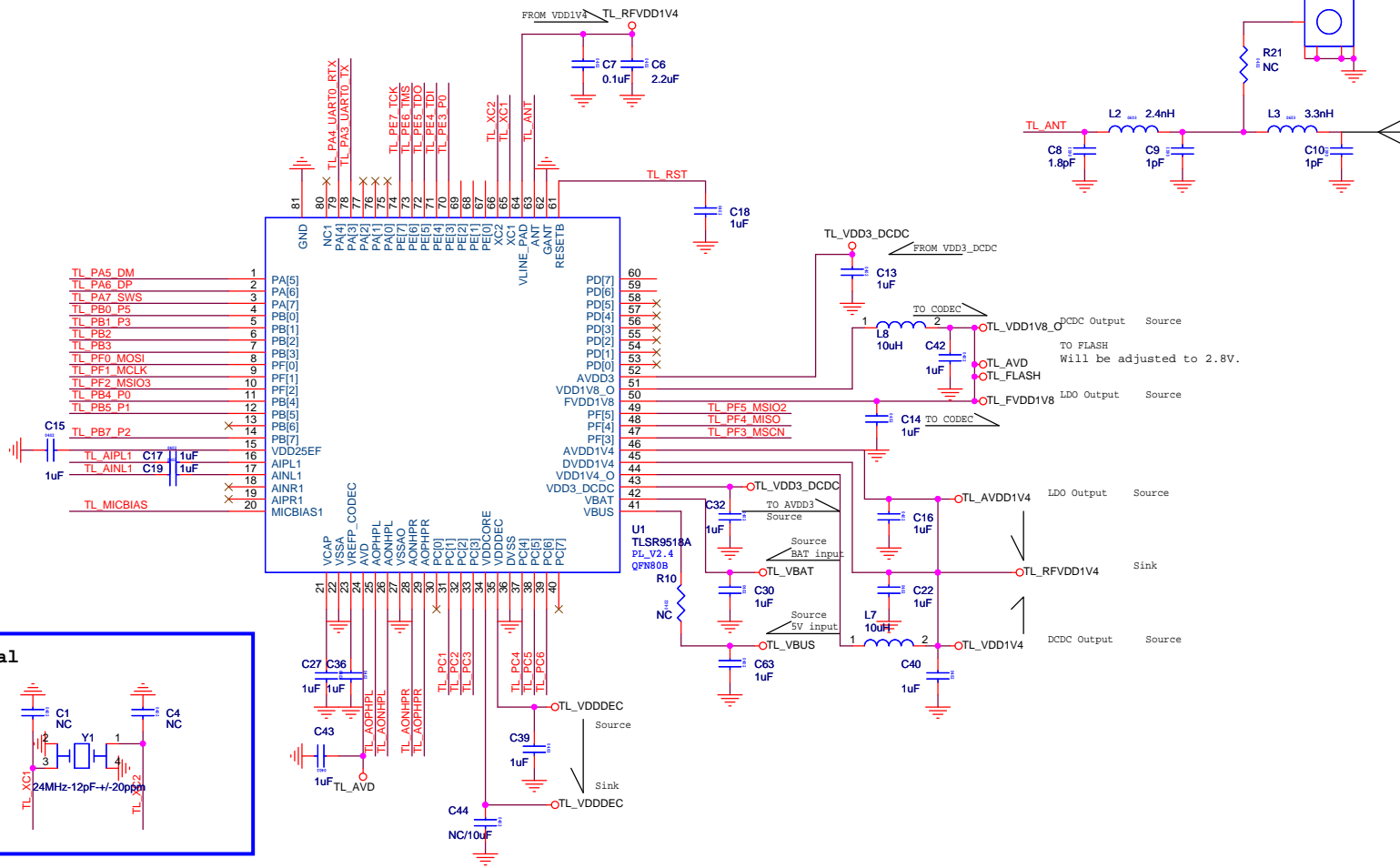


Date	Note	Designer	Checker
2020/08/21	Initial Version	Hongwei	Xiang
2020/09/24	Modify power layer	Hongwei	Xiang

Title		
TELINK		
Size	Document Number	Rev
A4	C1T213A3	V1.1
Date:	Wednesday, November 25, 2020	Sheet 1 of 2



Title		TELINK
Size	Document Number	Rev
A3	C1T213A3	V1.1
Date:	Wednesday, November 25, 2020	Sheet 2 of 2