

Product Change Notification (PCN)

PCN#: PCN-2023-031-05 rev1.0

Date: 2023-11-14

Device affected: Refer to the device list in the end of this PCN.

Classification of Chang: Critical Major Minor

Customer Notification: Approval Required Information Only

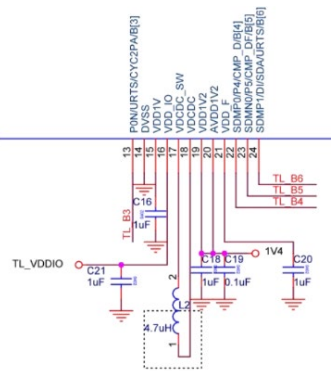
Last time order (optional): NA

Final shipment date(optional): NA

Description of the Change:

The chip embedded DCDC or LDO. If DCDC mode is adopted by customer, the reference inductor (L2 in below schematic) need be changed from 10uH to 4.7uH.

Note: You can access to <http://wiki.telink-semi.cn> for [827X Hardware Design Guide](#).

Example: Device TLSR827X


Change	Before	After
Inductor: L2	10uH	4.7uH

Impact:

- | | | |
|---------------------------|--|---|
| 1.Function | <input type="checkbox"/> No | <input checked="" type="checkbox"/> Yes |
| 2.Form | <input checked="" type="checkbox"/> No | <input type="checkbox"/> Yes |
| 3.Fit | <input checked="" type="checkbox"/> No | <input type="checkbox"/> Yes |
| 4.Quality or Reliability: | <input checked="" type="checkbox"/> No | <input type="checkbox"/> Yes |

Reason of change:

Both inductor and chip exist process variation which may decrease DCDC load capacity. Using 4.7uH inductor has stronger DCDC load capacity to cover inductor and chip process variation.

Change active from:

2024-02-29

Authorization for Telink Semiconductor
QRA Senior Manager: Liu Bi Xiang

Date: 2023/11/14



Affected device list:

TLSR8270F512ET48	TLSR8271F512ET48	TLSR8273F512ET48	TLSR8276F1KET48
TLSR8355F512ET48	TLSR8271F512GT32	TLSR8273F512GT32	TLSR8278F1KET48
TLSR8355F512ET32	TLSR8271F512ET32	TLSR8273F512ET32	